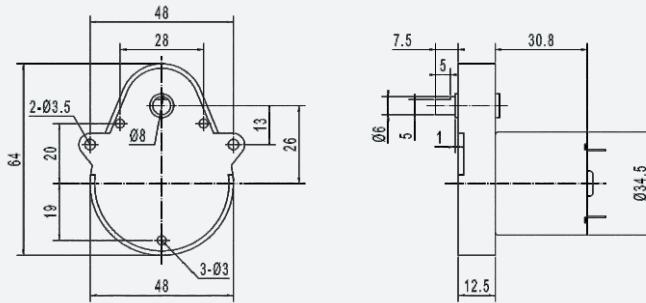
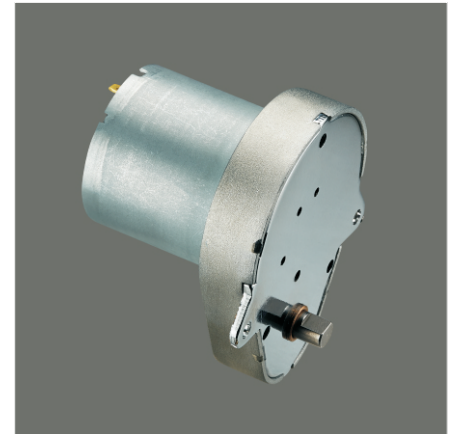


# GM48-3530

48mm gearbox plus 3530 permanent magnet DC motor

Module	0.3/0.4	
Rated torque (kg.cm)	5.0 kg.cm max	
Max momentary tolerance torque (kg.cm)	10.0 kg.cm max	
Reduction ratio	1/89、1/128、1/225 1/250、1/283	1/360、1/400、1/453
Number of gear stages	4	5
Gearbox length L (mm)	12.5	



Weight: 190g(Approx)

Unit(mm)

## Gear Motor Technical Data

Voltage	Reduction ratio	89	128	225	250	283	360	400	453
		<b>12.0V</b>	No-load speed(rpm)	55	38	22	20	18	14
	Rated speed(rpm)	45	33	19	17	15	12	11	10
	Rated torque(kg.cm)	2.1	3.1	5.0	5.0	5.0	5.0	5.0	5.0
<b>24.0V</b>	No-load speed(rpm)	60	43	24	22	20	16	14	12
	Rated speed(rpm)	55	38	22	20	17	14	12	11
	Rated torque(kg.cm)	2.1	3.1	5.0	5.0	5.0	5.0	5.0	5.0

## Motor Technical Data

Motor model	Rated voltage	No-load		Rated			Stall		
		Speed	Current	Speed	Torque	Current	Power	Torque	Current
	VDC	r/min	mA	r/min	g.cm	mA	W	g.cm	A
<b>TRK-3530-1250</b>	12.0	5000	45	4300	40	320	1.8	250	2.0
<b>TRK-3530-2456</b>	24.0	5600	20	4850	40	180	2.0	300	1.2

