

# SKYSMotor

## DM2282S

### Digital Stepper Drive

---

# Manual



## Contents

<b>1. Overview</b> .....	- 1 -
<b>2. Features</b> .....	- 1 -
<b>3. Ports Introduction</b> .....	- 2 -
3.1 Control Signal Input Ports .....	- 2 -
3.2 ALM signal output ports.....	- 3 -
3.3 Power Interface Ports.....	- 3 -
<b>4. Technological Index</b> .....	- 4 -
<b>5. Connections to Control Signal</b> .....	- 4 -
5.1 Connections to Common Anode.....	- 5 -
5.2 Connections to Common Cathode .....	- 6 -
5.3 Connections to Differential Signal .....	- 7 -
5.4 Connections to 232 Serial Communication Interface .....	- 8 -
5.5 Sequence Chart of Control Signals.....	- 8 -
<b>6. DIP Switch Setting</b> .....	- 9 -
6.1 Activate Edge Setting .....	- 9 -
6.2 Running Direction Setting .....	- 9 -
6.3 Microsteps Setting .....	- 10 -
<b>7. Faults alarm and LED flicker frequency</b> .....	- 11 -
<b>8. Appearance and Installation Dimensions</b> .....	- 11 -
<b>9. Typical Connection</b> .....	- 12 -
<b>10. Parameter Setting</b> .....	- 13 -
<b>11. Processing Methods to Common Problems and Faults</b> .....	- 17 -
11.1 Power on power light off.....	- 17 -
11.2 Power on red alarm light on.....	- 17 -
11.3 After input pulse signal but the motor not running.....	- 18 -

## 1. Overview

The DM2282S is a two phase digital stepper driver based on DSP. Its Microstep resolutions and output current are programmable. And it has advanced control algorithm which brings a unique level of system smoothness, provides optimum torque and mid-range instability. The control algorithm of Multi-Stepping can drive stepper motor to run smoothly. The control algorithm of torque compensation can improve the torque of motor in the high speed. The control algorithm of motor self-test and parameter auto-setup technology offers optimum responses with different motors and easy-to-use. The control algorithm of smoothness can enhance the acceleration and deceleration of motor. Its unique features make the DM2282S to be an ideal solution for applications.

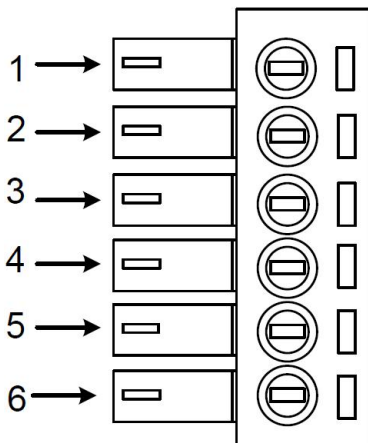
## 2. Features

- ◆Parameter auto-setup and motor self-test
- ◆Multi-Stepping inside
- ◆Small noise, low heating, smooth movement
- ◆Torque compensation in high speed
- ◆Variable current control technology, High current efficiency
- ◆Accelerate and decelerate control inside, Great improvement in smoothness of starting or stopping the motor
- ◆Support PUL/DIR and CW/CCW modes
- ◆Storage the position of motor
- ◆Optically isolated input and compatible with 5V or 24V

- ◆ User-defined Microsteps
- ◆ Over current, over voltage and low voltage protection
- ◆ Green light means running while red light means protection or off line

## 3. Ports Introduction

### 3.1 Control Signal Input Ports

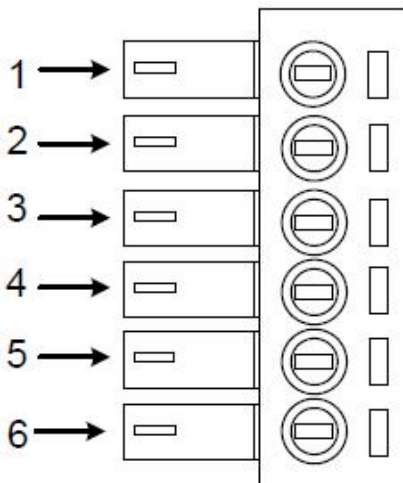


Port	Symbol	Name	Remark
1	DIR-	Direction signal-	Compatible with 5V or 24V
2	DIR+	Direction signal+	
3	PLS-	Pulse signal -	Compatible with 5V or 24V
4	PLS+	Pulse signal +	
5	ENA-	Enable signal -	Compatible with 5V or 24V
6	ENA+	Enable signal +	

## 3.2 ALM signal output ports

Port	Symbol	Name	Remark
1	ALM+	Alarm output +	
2	ALM-	Alarm output -	

## 3.3 Power Interface Ports



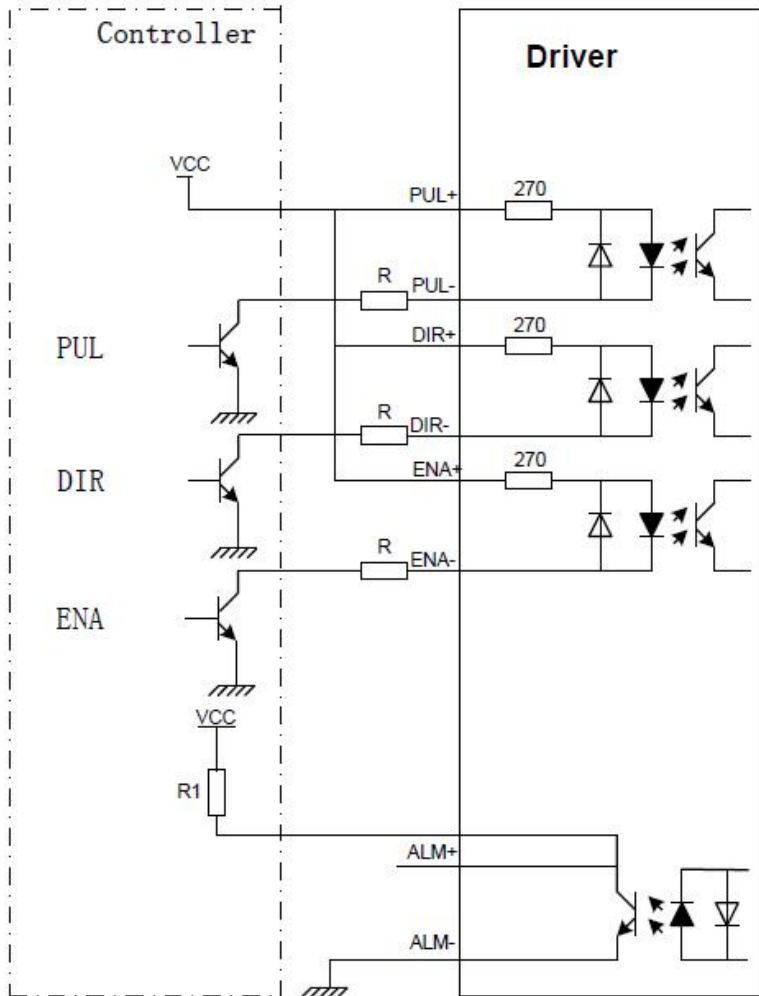
Port	Symbol	Name	Remark
1	A+	Phase A+	Motor Phase A
2	A-	Phase A-	
3	B+	Phase B+	Motor Phase B
4	B-	Phase B-	
5	Power Input Ports	AC1	AC80V ~ 240V
6		AC2	

## 4. Technological Index

Input Voltage		80~240VAC
Output Current		8A
Pulse Frequency max		200K
Communication rate		57.6Kbps
Protection		<ul style="list-style-type: none"> <li>●Over current peak value 15A±10%</li> <li>●Over voltage value 350V</li> <li>●The over position error range can be set through the HISU</li> </ul>
Overall Dimensions (mm)		192×127×85
Weight		Approximate 1500g
Specifications	Environment	Avoid dust, oil fog and corrosive gases +70°CMax
	Operating Temperature	
	Storage Temperature	-20°C~+80°C
	Humidity	40~90%RH
	Cooling method	Natural cooling or forced air cooling

## 5. Connections to Control Signal

### 5.1 Connections to Common Anode

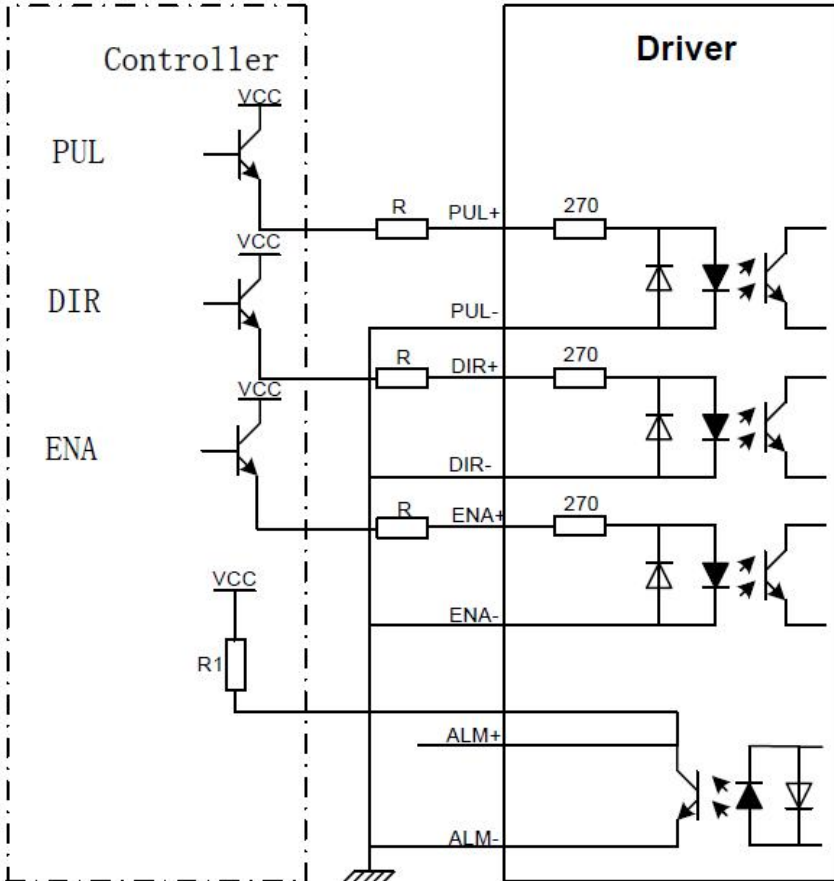


**Remark:**

VCC is compatible with 5V or 24V;

R(3~5K) must be connected to control signal terminal.

## 5.2 Connections to Common Cathode



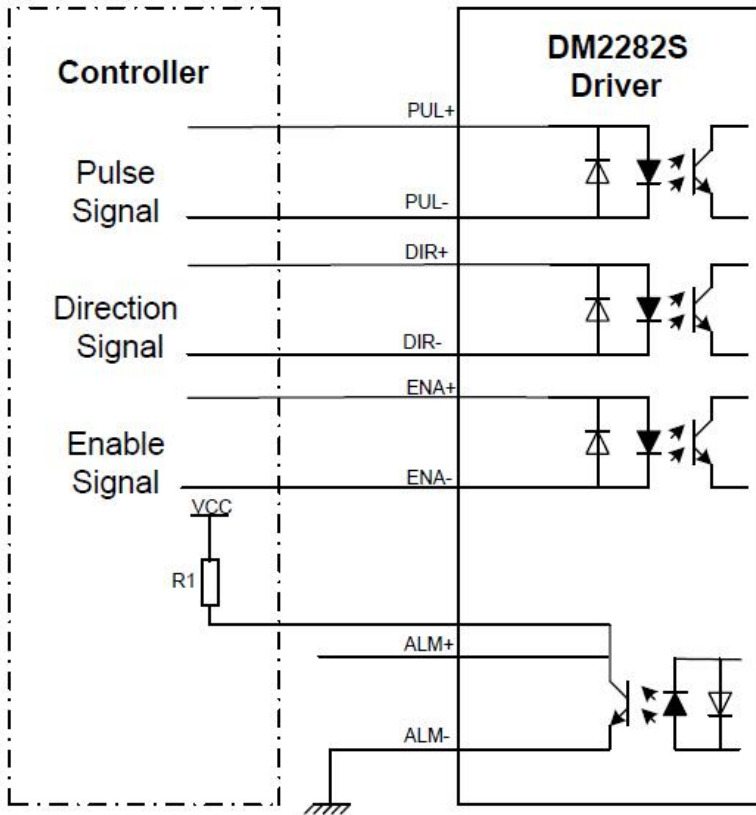
### Remark:

VCC is compatible with 5V or 24V;

R(3~5K) must be connected to control signal terminal.



## 5.3 Connections to Differential Signal

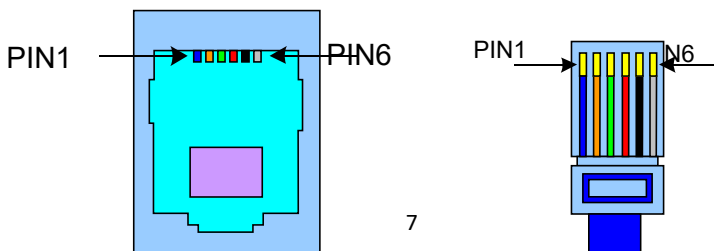


**Remark:**

VCC is compatible with 5V or 24V;

R(3~5K) must be connected to control signal terminal.

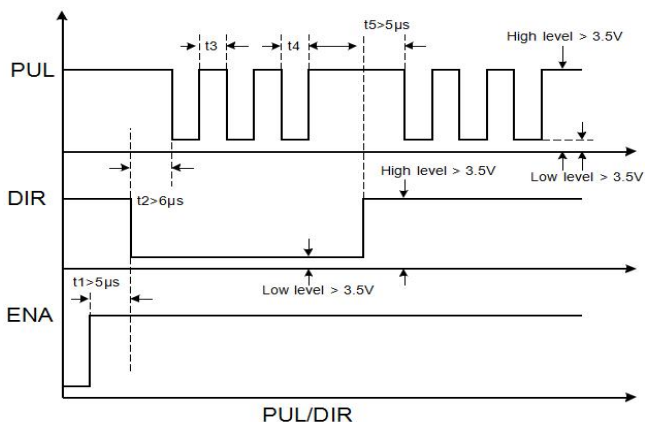
## 5.4 Connections to 232 Serial Communication Interface



Crystal Head foot	Definition	Remark
1	TXD	Transmit Data
2	RXD	Receive Data
4	+5V	Power Supply to HISU
6	GND	Power Ground

## 5.5 Sequence Chart of Control Signals

In order to avoid some fault operations and deviations, PUL, DIR and ENA should abide by some rules, shown as following diagram:



### Remark:

- t1: ENA must be ahead of DIR by at least 5µs. Usually, ENA+ and ENA- are NC (not connected).
- t2: DIR must be ahead of PUL active edge by 6µs to ensure correct direction;
- t3: Pulse width not less than 2.5µs;
- t4: Low level width not less than 2.5µs.

## 6. DIP Switch Setting

### 6.1 Current Setting

The current setting is in the following table.

Dial Switch Current	SW1	SW2	SW3
Default	off	on	off
2.2A	on	on	off
3.2A	off	off	off
4.5A	on	off	off
5.2A	off	on	on
6.3A	on	on	on
7.2A	off	off	on
8.2A	on	off	on

### 6.2 Standstill current Setting

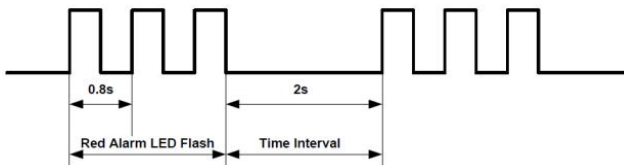
SW4 is used for setting the standstill current, “off” means the standstill current is set to be half of the selected dynamic current or other current, which can be set by the HISU, the details can be seen in the tenth sections. while “on” means the standstill current is set to be the same as the selected dynamic current.

### 6.3 Microsteps Setting

The Microsteps setting is in the following table. And the Microsteps can be also setting through the HISU. The details can be seen in the tenth sections.

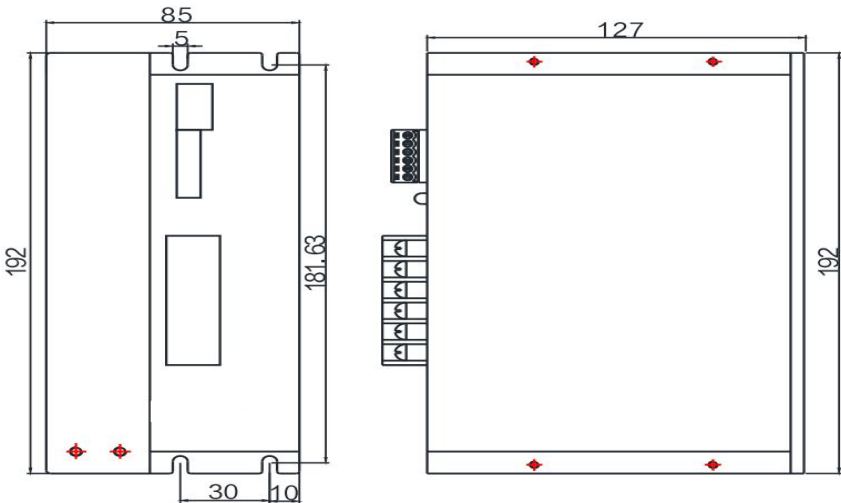
Dial switch Microsteps	SW5	SW6	SW7	SW8
Default	on	on	on	on
400	off	on	on	on
800	on	off	on	on
1600	off	off	on	on
3200	on	on	off	on
6400	off	on	off	on
12800	on	off	off	on
25600	off	off	off	on
1000	on	on	on	off
2000	off	on	on	off
4000	on	off	on	off
5000	off	off	on	off
8000	on	on	off	off
10000	off	on	off	off
20000	on	off	off	off
25000	off	off	off	off

## 7. Faults alarm and LED flicker frequency



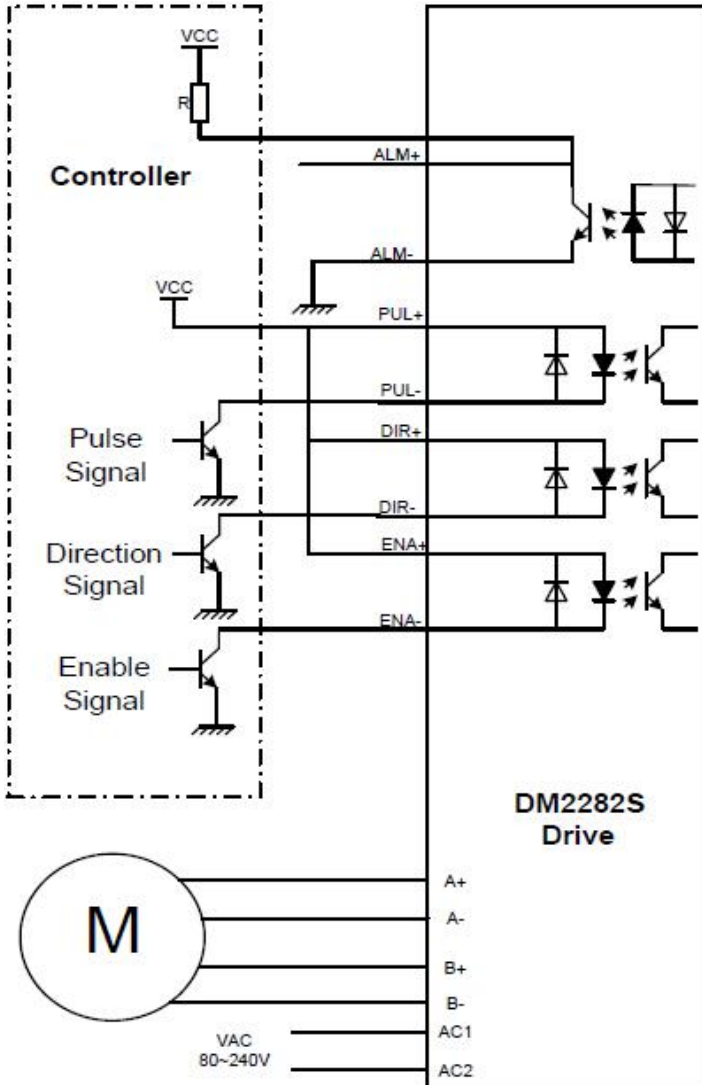
Flicker Frequency	Description to the Faults
1	Error occurs when the motor coil current exceeds the drive's current limit.
2	Voltage reference error in the drive
3	Parameters upload error in the drive
4	Error occurs when the input voltage exceeds the drive's voltage limit.

## 8. Appearance and Installation Dimensions



## 9. Typical Connection

Here is the typical connection of DM2282S.



## 10. Parameter Setting

The parameter setting method of DM2282S drive is to use a HISU adjuster through the 232 serial communication ports, only in this way we can set the parameters we want. There are a set of best default parameters to the corresponding motor which are carefully adjusted by our engineers, users only need refer to the following table, specific condition and set the correct parameters.

Actual value = Set value × the corresponding dimension

Mode	Definition	Range	Dimension	Drive Restart	Default Value
<b>P1</b>	Current loop Kp	0—4000	1	Y	4000
<b>P2</b>	Current loop Ki	0—1000	1	Y	100
<b>P3</b>	Damping coefficient	0—500	1	N	100
<b>P4</b>	Amplitude of first resonance point	0—100	1	N	0
<b>P5</b>	Phase of first resonance point	0—100	1	N	0
<b>P6</b>	Amplitude of second resonance point	0—100	1	N	0
<b>P7</b>	Phase of second resonance point	0—100	1	N	0
<b>P8</b>	Amplitude of third resonance point	0—100	1	N	0
<b>P9</b>	Reserved				
<b>P10</b>	Enable signal level	0—1	1	N	1
<b>P11</b>	Reserved				


<b>P12</b>	Reserved				
<b>P13</b>	Command Type	0—1	1	N	0
<b>P14</b>	User-defined Microsteps	4—1000	50	Y	0
<b>P15</b>	Time of standstill current	0—4000	1ms	Y	1000
<b>P16</b>	Percentage of standstill current	0—100	1	Y	50
<b>P17</b>	Speed smoothness	0—10	1	Y	0
<b>P18</b>	Enable of position memory	0—1	1	Y	0
<b>P19</b>	User-defined resistance of motor	0—100	mh	Y	0
<b>P20</b>	User-defined inductance of motor	0—100	0.1ohm	Y	0
<b>P21</b>	Result of position memory	0—128	1		0
<b>P22</b>	Time of enable position memory	0—100	1s	Y	5

There are total 22 parameter configurations, use the HISU to download the configured parameters to the drive, the detail descriptions to every parameter configuration are as follows:

Item	Description
<b>Current loop Kp</b>	Increase Kp to make current rise fast. Proportional. Gain determines the response of the drive to setting command. Low Proportional Gain provides a stable system (doesn't oscillate), has low stiffness, and the



	current error, causing poor performances in tracking current setting command in each step. Too large proportional gain values will cause oscillations and unstable system.
<b>Current loop Ki</b>	Adjust Ki to reduce the steady error. Integral Gain helps the drive to overcome static current errors. A low or zero value for Integral Gain may have current errors at rest. Increasing the integral gain can reduce the error. If the Integral Gain is too large, the system may “hunt” (oscillate) around the desired position.
<b>Damping coefficient (P3)</b>	This parameter is used to change the damping coefficient in case of the desired operating state is under resonance frequency.
<b>Amp 1—3 Phase 1—3</b>	DM2282S Driver provides robust anti-resonance control to stop the vibrations and maintain equilibrium. Usually between 0.6rps and 1.2rps. Amp2 and Phase2 is Phase adjustment for 2nd and Amplitude adjustment for 2nd resonance area respectively. Usually between 1.2rps and 2.4rps. Amp3 and Phase3 is Phase adjustment for 3rd and Amplitude adjustment for 3rd resonance area respectively. Usually between 2.4rps and 4.8rps.
<b>Enable Control</b>	This parameter is set to control the Enable Input signal level. 0 means low, while 1 means high.
<b>User-defined microsteps</b>	This parameter is set of user-defined Microsteps. The actual Microsteps = the set value $\times$ 50. For example, if the parameter is 4, the Microsteps is $4 \times 50 = 800$ . But If this parameter is 0, which means Microsteps is set by the outer DIP switches.

<p><b>Time of standstill current</b></p>	<p>This parameter is set the time when the standstill current is set to be half of the selected dynamic current or other current.</p>
<p><b>Percentage of standstill current</b></p>	<p>This parameter is set the percentage of standstill current.</p>
<p><b>Speed smoothness</b></p>	<p>This parameter is set to control the smoothness of the speed of the motor while acceleration or deceleration, the larger the value, the smoother the speed in acceleration or deceleration.</p> 
<p><b>Enable of position memory</b></p>	<p>This parameter is set to enable the function of position memory. 0 means disable, while 1 means enable. If set 1, the DM2282S can remember the position of motor in the next time of power on.</p>
<p><b>User-defined inductance of motor</b></p>	<p>This parameter is set the inductance of motor. 0 means DM2282S gets the inductance by control algorithm of Parameter auto-setup while 1 means the drive will not recognize itself, and it will take the inductance set by users.</p>
<p><b>User-defined resistance of motor</b></p>	<p>This parameter is set the resistance of motor. 0 means DM2282S gets the resistance by control algorithm of Parameter auto-setup, while 1 means DM2282S gets the resistance through user sets.</p>
<p><b>Result of position memory</b></p>	<p>Display the result of position memory</p>

<b>Time of enable position memory</b>	This parameter is set of the time when enable the position memory. The time is mean the space of time to stop plus input.
<b>Command Type</b>	This parameter is set to choice the PUL/DIR mode or CW/CCW mode. 0 means PUL/DIR mode,while means CW/CCW mode.

## 11. Frequently Asked Questions

### 11.1 The power light is off

- No power input, please check the power supply circuit.
- The voltage is too low.

### 11.2 The drive alarms when power on

- Please check the motor is connected with the drive.
- The stepper digital drive is over voltage or under voltage. Please lower or increase the input voltage.

### 11.3 The motor does not rotate after being given pulse signals

- Please check the input pulse signal wires are connected in reliable way.
- Please make sure the input pulse mode is corresponding with the real input mode.
- The Driver is disabled.