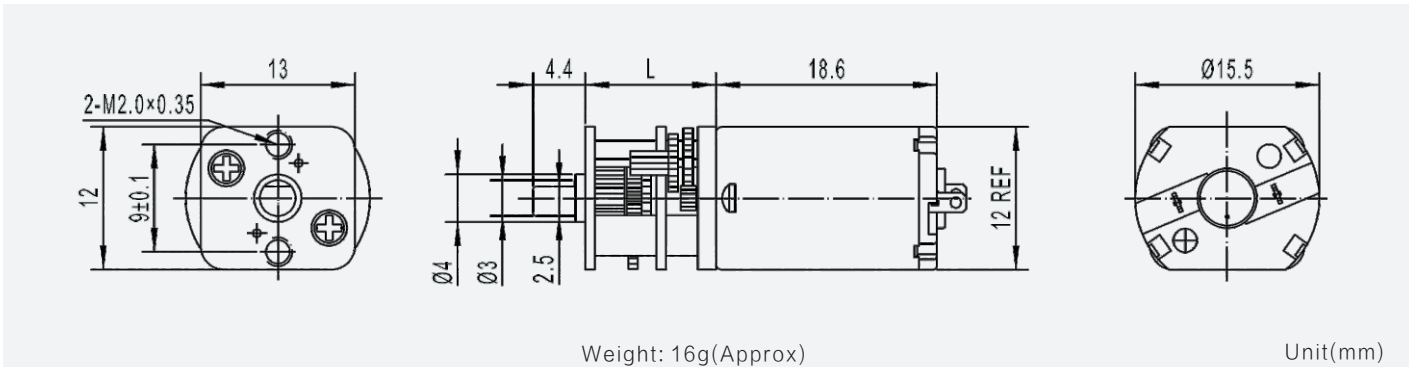
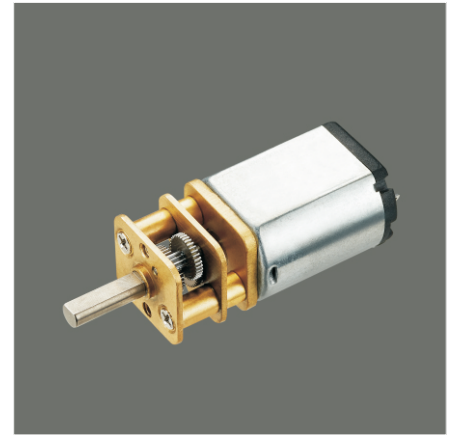


GM13-030PA

13mm gearbox plus 030 permanent magnet DC motor

| | | | |
|--|---------------|------------------------|----------------------------|
| Module | 0.15 | | |
| Rated torque (kg.cm) | 0.5 kg.cm max | | |
| Max momentary tolerance torque (kg.cm) | 1.0 kg.cm max | | |
| Reduction ratio | 1/10 | 1/20、1/35 1/63、1/86 | 1/115、1/150 1/250、1/360 |
| Number of gear stages | 2 | 4 | 5 |
| Gearbox length L (mm) | 11.0 | | |



Gear Motor Technical Data

| Reduction ratio | | 3 | 10 | 20 | 35 | 63 | 86 | 115 | 150 | 250 | 360 |
|-----------------|---------------------|------|------|------|------|------|------|------|------|-----|-----|
| 6.0V | No-load speed(rpm) | 3600 | 1100 | 550 | 310 | 175 | 130 | 96 | 73 | 44 | 30 |
| | Rated speed(rpm) | 3000 | 900 | 450 | 260 | 140 | 105 | 78 | 60 | 38 | 28 |
| | Rated torque(kg.cm) | 0.01 | 0.03 | 0.06 | 0.1 | 0.19 | 0.26 | 0.35 | 0.45 | 0.5 | 0.5 |
| 12.0V | No-load speed(rpm) | 4000 | 1200 | 610 | 350 | 195 | 140 | 105 | 83 | 50 | 35 |
| | Rated speed(rpm) | 3250 | 975 | 485 | 280 | 155 | 110 | 85 | 65 | 41 | 30 |
| | Rated torque(kg.cm) | 0.01 | 0.03 | 0.06 | 0.48 | 0.19 | 0.26 | 1.6 | 0.45 | 0.5 | 0.5 |

Motor Technical Data

| Motor model | Rated voltage | No-load | | Rated | | | Stall | | |
|-----------------|---------------|---------|---------|-------|--------|---------|-------|--------|---------|
| | | Speed | Current | Speed | Torque | Current | Power | Torque | Current |
| | VDC | r/min | mA | r/min | g.cm | mA | W | g.cm | A |
| TFF-030PA-09220 | 6.0 | 11500 | 35 | 9000 | 5.0 | 140 | 0.45 | 23 | 0.60 |
| TFF-030PA-06400 | 12.0 | 12500 | 20 | 9750 | 5.0 | 75 | 0.50 | 23 | 0.27 |

