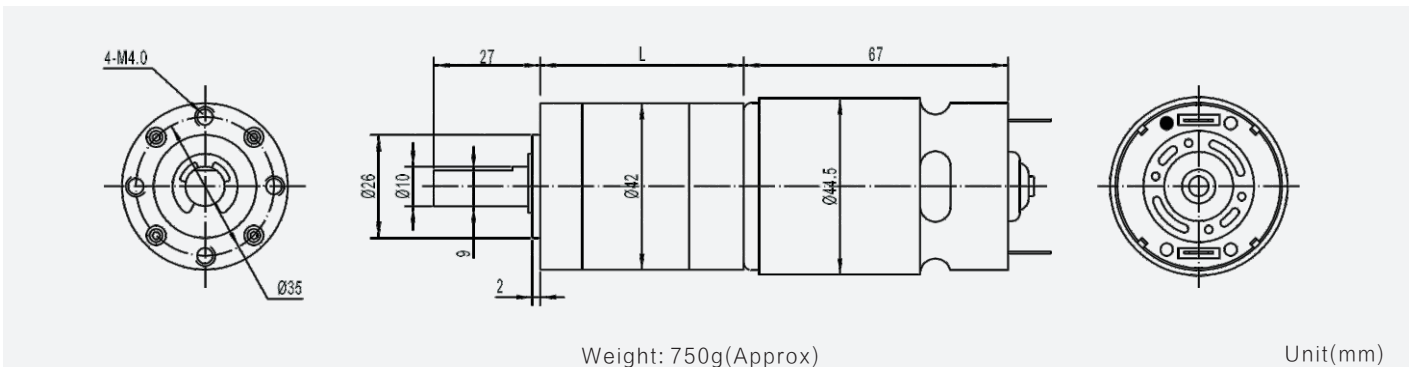


GMP42-775PM

42mm planetary gearbox plus 775 permanent magnet DC motor



| | | | | |
|--|-----------------|----------------------|----------------------------|---------------------------------------|
| Module | 0.6 | | | |
| Rated torque (kg.cm) | 60.0 kg.cm max | | | |
| Max momentary tolerance torque (kg.cm) | 120.0 kg.cm max | | | |
| Reduction ratio | 1/4 | 1/14 1/19 1/27 | 1/51, 1/71 1/100, 1/139 | 1/189, 1/264 1/369, 1/516 1/720 |
| Number of gear stages | 1 | 2 | 3 | 4 |
| L (mm) | 31.5 | 42 | 52 | 62 |



Gear Motor Technical Data

| Reduction ratio | | 4 | 19 | 51 | 100 | 139 | 189 | 264 | 369 | 516 | 720 |
|-----------------|---------------------|------|-----|-----|-----|-----|-----|-----|-----|-----|-----|
| 12.0V | No-load speed(rpm) | 1100 | 220 | 85 | 44 | 32 | 24 | 17 | 12 | 9 | 6 |
| | Rated speed(rpm) | 870 | 185 | 70 | 35 | 25 | 19 | 14 | 11 | 8 | 5 |
| | Rated torque(kg.cm) | 2.8 | 13 | 26 | 50 | 60 | 60 | 60 | 60 | 60 | 60 |
| 24.0V | No-load speed(rpm) | 1400 | 295 | 110 | 58 | 42 | 32 | 23 | 16 | 12 | 6 |
| | Rated speed(rpm) | 1130 | 235 | 90 | 45 | 32 | 24 | 18 | 14 | 11 | 5 |
| | Rated torque(kg.cm) | 2.8 | 13 | 26 | 50 | 60 | 60 | 60 | 60 | 60 | 60 |

Motor Technical Data

| Motor model | Rated voltage | No-load | | Rated | | | Stall | | |
|----------------|---------------|---------|---------|-------|--------|---------|-------|--------|---------|
| | | Speed | Current | Speed | Torque | Current | Power | Torque | Current |
| | VDC | r/min | mA | r/min | g.cm | mA | W | g.cm | A |
| TRS-775PM-1246 | 12.0 | 4600 | 600 | 3470 | 900 | 4400 | 32 | 3600 | 16 |
| TRS-775PM-2460 | 24.0 | 6000 | 300 | 4500 | 900 | 2200 | 40 | 3600 | 7.5 |

