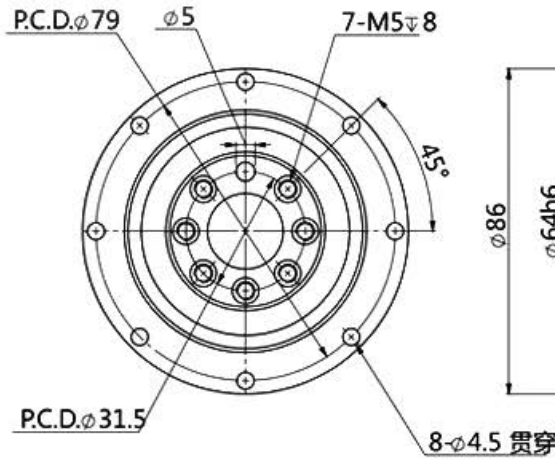
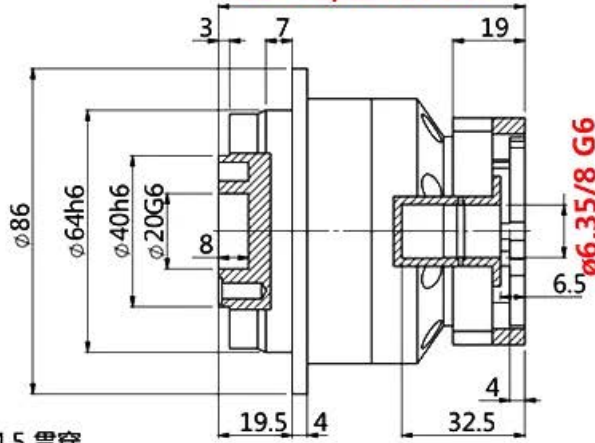


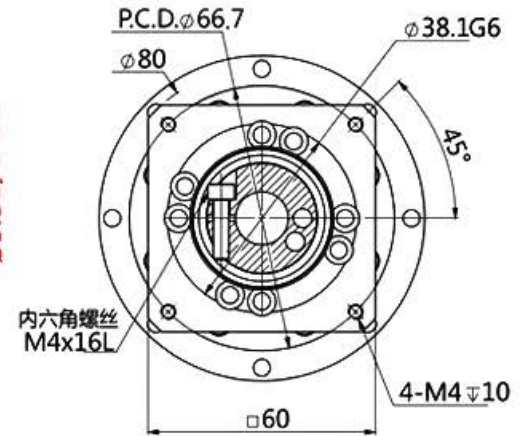
Output



L1=81, L2=104.5

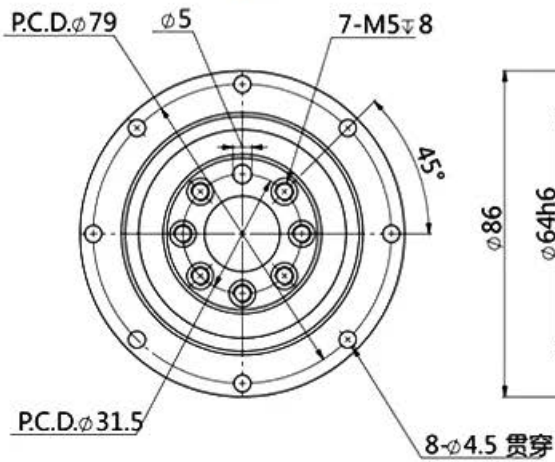


Input

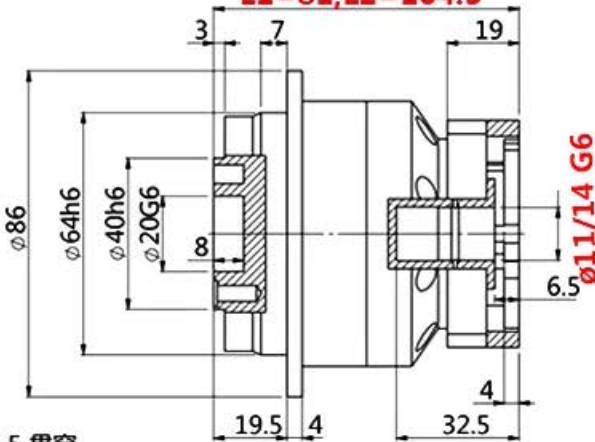


11/14mm Input for 60mm Flange Servo Motor

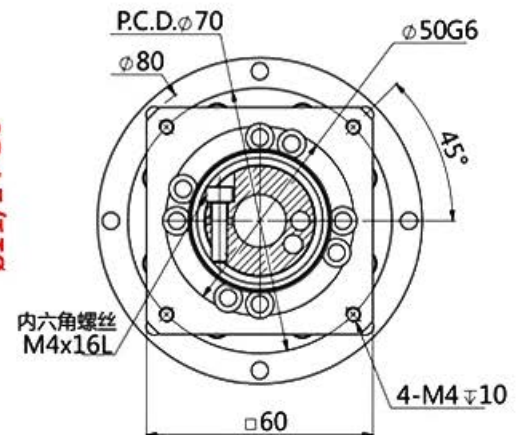
Output



L1=81, L2=104.5



Input



BACKLASH

**Less than 3 Arcmin (L1)
Less than 5 Arcmin (L2)**



FLANGE OUTPUT

60mm~120mm Flange

