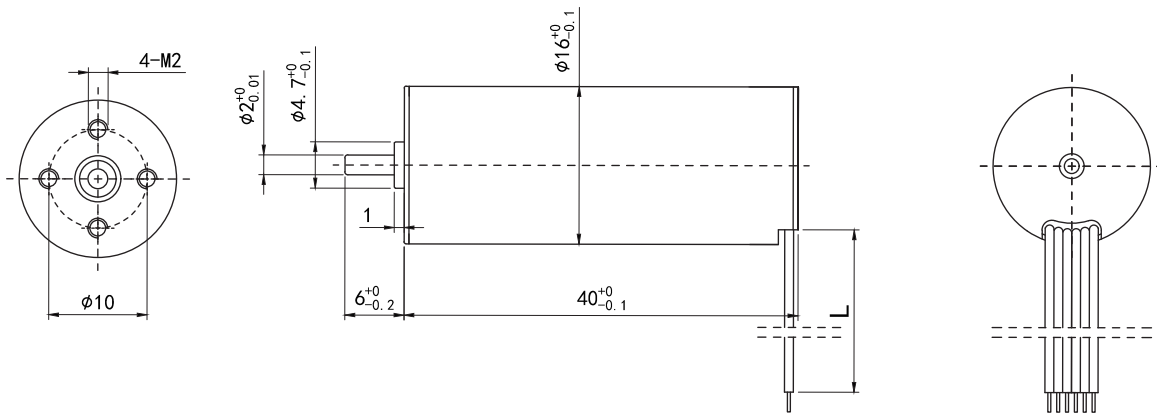


TBC1640

16mm brushless motor

Power	7.6W(Internal Drive)
	/
Life Expectancy	~ 15000H(Ball Bearing)
	/



Weight:65g(Approx)

Unit(mm)

Motor Technical Data

Motor model	Rated voltage	No-load		Rated				Stall	
		Speed	Current	Speed	Torque	Current	Power	Torque	Current
	VDC	r/min	mA	r/min	g.cm	mA	W	g.cm	A
TBC1640GHQ	12	11219	66	8414	31	400	2.7	125	1.4
TBC1640GHQ	24	15200	75	13224	56	500	7.6	430	3

