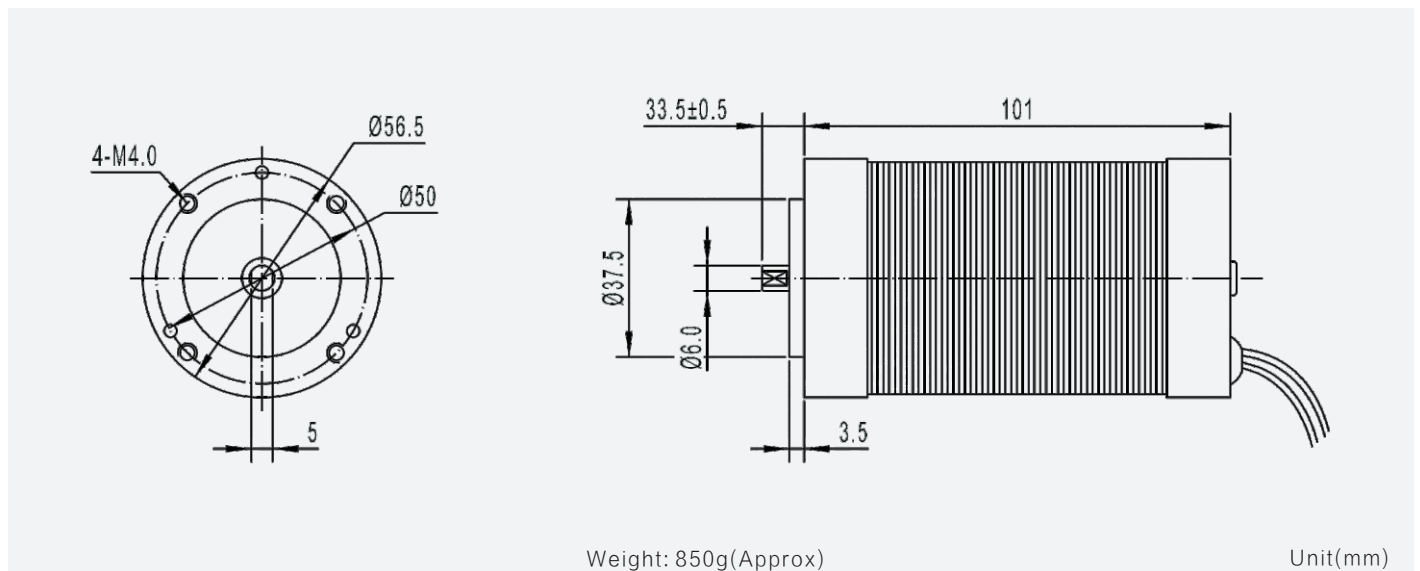


TEC56100

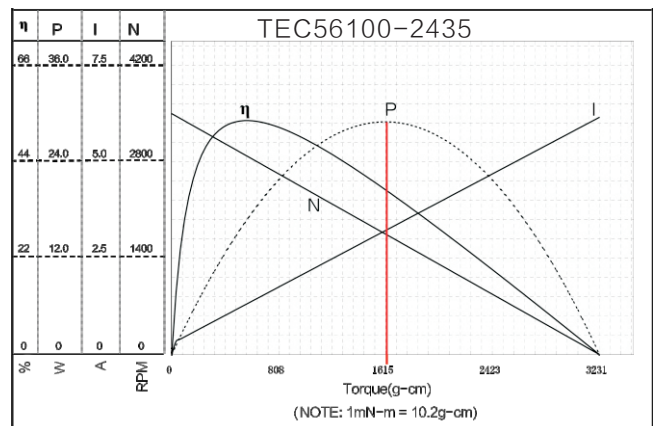
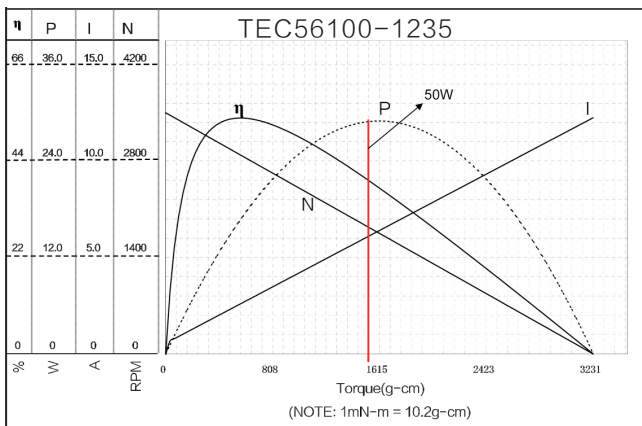
56mm brushless motor

| | |
|---|---------------------------|
| Connection Mode B & C | |
| Clockwise Rotation/Counter Clockwise Rotation | |
| FG Signal | |
| PWM Control | |
| Locked Rotor Protection | |
| Power | / 50W(External Drive) |
| Life Expectancy | / ~5000H(Ball Bearing) |



Motor Technical Data

| Motor model | Rated voltage | No-load | | Rated | | | Stall | | |
|----------------------|---------------|---------|---------|-------|--------|---------|-------|--------|---------|
| | | Speed | Current | Speed | Torque | Current | Power | Torque | Current |
| | VDC | r/min | mA | r/min | g.cm | mA | W | g.cm | A |
| TEC56100-1235 | 12.0 | 3500 | 600 | 3050 | 400 | 1900 | 12.5 | 3200 | 4.5 |
| TEC56100-2435 | 24.0 | 3500 | 300 | 3050 | 400 | 1000 | 12.5 | 3200 | 4.5 |



NOTE: the left side of red line area can continuous work